

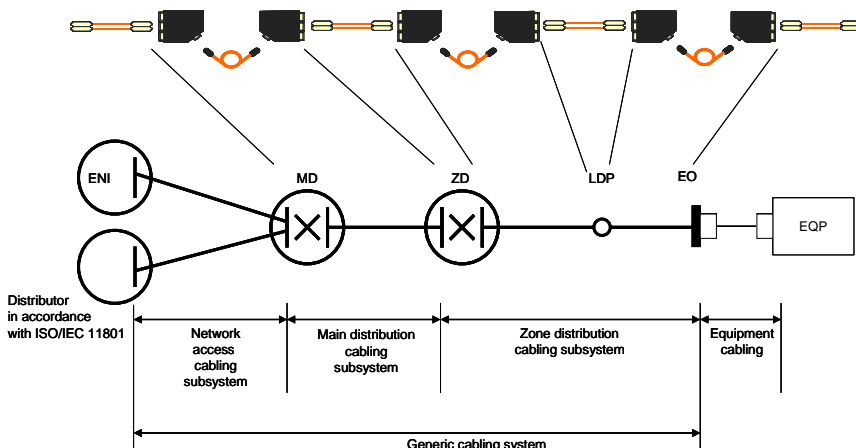
MPOptimate System

AMP NETCONNECT MPOptimate Fiber Optic System

This system is capable of supporting 10G applications through the complete structure of a Data Center, as specified in ISO/IEC 24764, EN 50173-5 and TIA/EIA 942. It offers one passive channel from the end equipment to the core switch without the need of repeating signals for amplifying reasons. When using the MPOptimate cabling system, the owner can replace aggregation switches by a patch cord without changing the passive infrastructure. This allows end-to-end passing of signals throughout a whole Data Center, so that the owner can migrate to newer core switching architectures without even touching

the network cabling. The MPOptimate system is based on technologies developed by Tyco Electronics, which minimize the disturbance that fiber optical connections have within a passive cabling channel, not only by reducing the attenuation of the complete channel, but also by eliminating the unwanted disturbance from core misalignments and physical contact errors.

This helps the overall transmission of higher bit-rate signals as they are very dependant on the cabling system's ability to reduce Inter Symbol Interference and Return Loss.



Product Facts

- Migration path to 40 Gb/s and 100 Gb/s applications
- Up to 6 cassettes per link for 10 Gb/s
- Full 300 meter support on OM3 fibers
- Pre-terminated system
- Factory tested
- High density, up to 72 ports on 1U
- Maximum Cassette Insertion Loss < 0.35dB
- Minimum Return Loss MPO > 28dB, LC/SC > 35dB
- All connectors meet IEC 61755-3 series end face geometry

MPOptimate System

Cassettes



Description	Configuration	Connectors	Partnumber
MPO cassette LC	12 fold straight	1 x MPO <> 12 x LC/PC	0-1920753-1
MPO cassette LC	12 fold pair flipped	1 x MPO <> 12 x LC/PC	1-1920753-1
MPO cassette LC	24 fold straight	2 x MPO <> 24 x LC/PC	0-1920698-1
MPO cassette LC	24 fold pair flipped	2 x MPO <> 24 x LC/PC	1-1920698-1
MPO cassette SC	12 fold straight	1 x MPO <> 12 x SC	0-2055107-1
MPO cassette SC	12 fold pair flipped	1 x MPO <> 12 x SC	1-2055107-1

Trunk Cables



Description	Configuration	Connectors	Partnumber
MPO trunk	12 fold	1 x MPO <> 1 x MPO	Y-1920739-X
MPO trunk	24 fold	2 x MPO <> 2 x MPO	Y-1920740-X

Y- X	Length	Y- X	Length	Y- X	Length	Y- X	Length
1- 0	10 m	4- 0	40 m	5- 4	70 m	6- 5	150 m
2- 0	20 m	5- 0	50 m	5- 6	80 m	7- 0	200 m
3- 0	30 m	5- 2	60 m	6- 0	100 m	7- 5	250 m

Other lengths available up to 500 metres

Patch Cords



Description	Connectors	Partnumber
Patch cord MPO to MPO (12 fold)	1 x MPO <> 1 x MPO	Y-1920741-X
Patch cord LC dplx to LC dplx	2 x LC/PC <> 2 x LC/PC	Y-1920743-X
Patch cord SC dplx to SC dplx	2 x SC <> 2 x SC	Y-2055108-X
Patch cord LC dplx to SC dplx	2 x LC <> 2 x SC	Y-2055109-X

Y- X	Length	Y- X	Length	Y- X	Length
0- 3	3 m	0- 7	7 m	1- 5	15 m
0- 5	5 m	1- 0	10 m	2- 0	20 m

Fan Out Units



Description	Connectors	Partnumber
MPO to LC fan out	1 x MPO <> 12 x LC/PC	Y-1920742-X
MPO to SC fan out	1 x MPO <> 12 x SC	Y-2055110-X

Y- X	Length	Y- X	Length	Y- X	Length
0- 3	3 m	0- 7	7 m	1- 5	15 m
0- 5	5 m	1- 0	10 m	2- 0	20 m

AMP NETCONNECT Regional Headquarters:

North America
Greensboro, NC, USA
Ph: +1-800-553-0938
F: +1-717-986-7406
ampnetconnect.com

Latin America
Buenos Aires, Argentina
Ph: +54-11-4733-2200
F: +54-11-4733-2282
ampnetconnect.com.mx

Europe
Kessel-Lo, Belgium
Ph: +32-16-35-2190
F: +32-16-35-2188
ampnetconnect.eu

Mid East & Africa
Cergy-Pontoise, France
Ph: +33-1-3420-2122
F: +33-1-3420-2268
ampnetconnect.com/MEA

Asia
Hong Kong, China
Ph: +852-2735-1628
F: +852-2735-1625
ampnetconnect.com/Asia

Pacific
Sydney, Australia
Ph: +61-2-9554-2600
F: +61-2-9554-2519
ampnetconnect.com.au

